

# **BACK-TO-WALL FREESTANDING BATH**

## **INSTALLATION**



### **PRE-INSTALLATION CHECKS**

.UNPACK & CHECK THE ITEM IS CORRECT & NO DAMAGE HAS OCCURRED DURING TRANSIT

.IF THERE ARE ANY VISIBLE DEFECTS DO NOT PROCEED WITH THE INSTALLATION & PLEASE CONTACT THE PLACE OF PURCHASE IMMEDIATELY. **ANY CLAIMS FOR DAMAGE WILL NOT BE ACCEPTED AFTER INSTALLATION**

.PROTECT YOUR BATH BEFORE & DURING INSTALLATION, SCRATCHES &/OR CRACKS &/OR SURFACE DAMAGE SUSTAINED DURING OR AFTER THE INSTALLATION ARE NOT COVERED BY WARRANTY.

.INSTALLATION MUST BE IN ACCORDANCE WITH BUILDING REGULATIONS & LOCAL AUTHORITY REQUIREMENTS.

### **INSTALLATION STEPS**

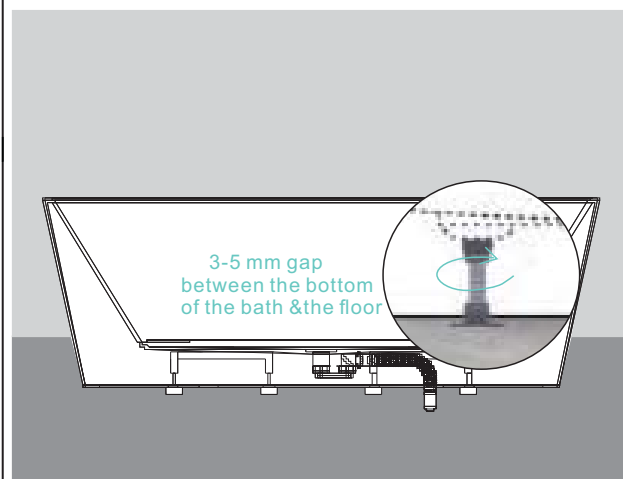
1. Remove your Freestanding bathtub from the box. Check for damage and ensure your bath does not come in contact with any rough surfaces which may scratch your bathtub. Place your bathtub on cardboard or carpet during installation. Place the bathtub in the correct position for installation.



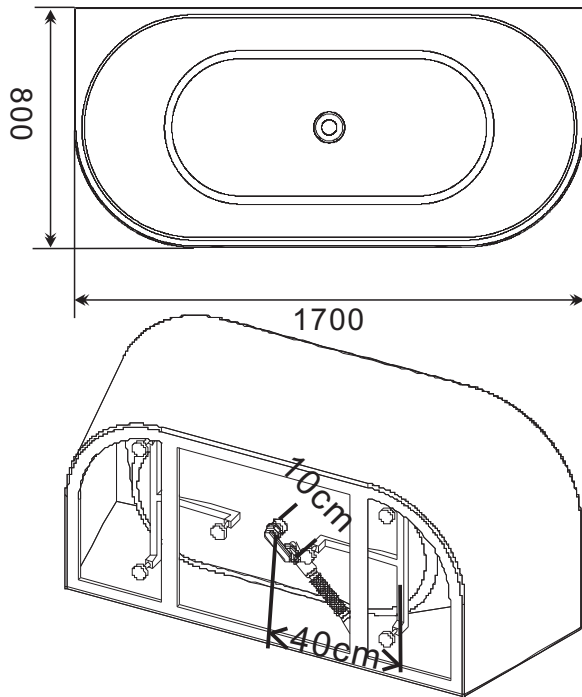
2. Adjust the leveling feet until the bath base is 3-5mm above the finished floor. If measuring from the unfinished floor take into account the floor finishing thickness (such as tiles) into account. Turn the feet bolts and level accordingly.

Ensure there is 3-5mm of space between the bottom of the bath shell and the floor. Installing directly on the floor will place pressure on the outside wall of the bath and will potentially crack the bathtub.

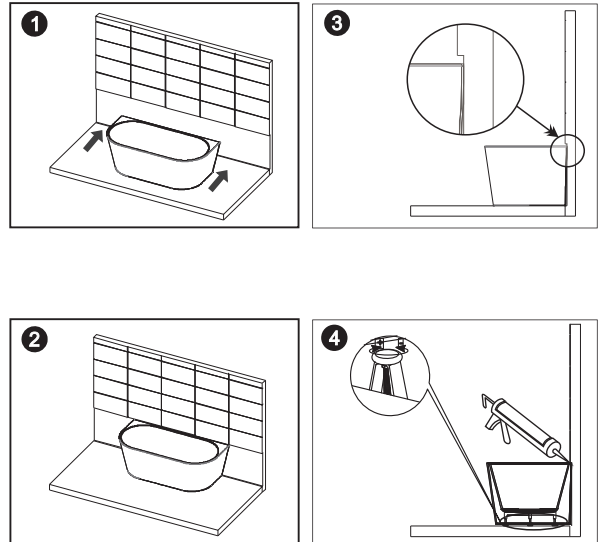
Ensure the bath is level so all water can drain to the waste outlet.



3. Prepare the installation by installing a 50mm drain socket flat with the finished (tile) floor. Advise to install 40cm to the left or right measured from the center, than another 10cm to the front.

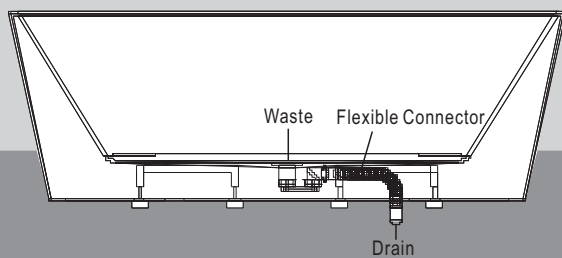


4. Install the bathtub on the finished floor, place it to the flat plastered wall.  
And Mark the desired position on the floor and trace the outline of the bath with a pencil or any easable marker.



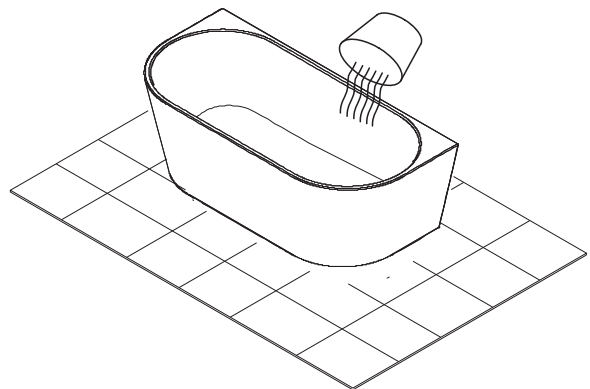
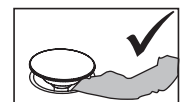
5. Carefully tilt the bath on its side and connect it to the drain outlet.

0WA004 Decina Flexible Connector+Pop-Up waset Min.clearance 100mm  
0WA005 Decina Flexible Connector Min.clearance 80mm



6. Once the connection to the waste pipe is done, check that the drain works correctly. A small amount of residual water may be present due to surface tension.

5 Test



7. Apply silicone to the back of the bath and slide the bath into the wall cavity (as detailed in Step 4.)
8. Finish tiling and grouting the wall around the bath.
9. Apply silicone around the bath outline and allow it to set for a minimum of 24 hours.

